

INSTRUCTION MANUAL

Orion Dob Pod for Orion 4.5-10" Dobsonian Telescopes

#10110



Figure 1. Parts list

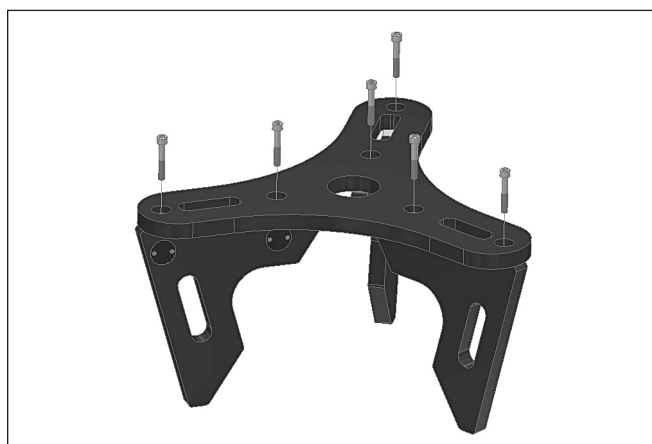


Figure 2. Assembling the three Dob Stand Legs

The Orion Dob Stand is an invaluable tool for observers who prefer using the huge light gathering capability of a Dobsonian telescope. It adds 1 ft to the telescope height, making it easier and more comfortable to use a Dob while standing (for individuals of 'average' height). It is compatible with the Orion's Classic, IntelliScope and GoTo Dobsons from 6" to 10" of aperture.

Getting Started

Start by familiarizing yourself with the Dob Stand components.

1. Dob Stand Leg (three pcs)
2. Dob Stand flat surface
3. Assembly Hex Socket Screws (Allen key not shown)

Assembling the Dob Stand

It is very easy to assemble the Dob Stand. Start by locating the three cut-outs on the Dob Stand flat Surface (#2). Each of the three Dob Stand Legs (#1) will be fixed below as shown in Figure 2.



Corporate Offices: 89 Hangar Way, Watsonville CA 95076 - USA
Toll Free USA & Canada: (800) 447-1001
International: +1(831) 763-7000
Customer Support: support@telescope.com

Copyright © 2020 Orion Telescopes & Binoculars. All Rights Reserved. No part of this product instruction or any of its contents may be reproduced, copied, modified or adapted, without the prior written consent of Orion Telescopes & Binoculars.

Start by attaching one Dob Stand Leg and fix it first to the Dob Stand Surface as shown. Use the supplied Allen key and two Socket Hex Screws (#3). Do not over tighten the two socket hex screws as it may damage the flat particle board flat surface. Repeat the same procedure for the two other Dob Stand Legs. Now that you have assembled the Dob Stand, adjust the screws, you might need to tighten the screws a little more.

Placing the Telescope on Top of the Dob Stand

The three plastic feet on the bottom of the ground board of your Orion Dobsonian telescope should fit the three cut-outs

on the Dob Stand Flat Surface. Place the telescope on top of the Dob Stand in such way that those three feet fit the cut-outs. You are now ready to use the Dob Stand.

NOTICE: The Dob Stand is meant to carry a telescope. Do not step on the Dob Stand as it might damage it and can cause injury.

NOTICE: The Orion Dob Stand is intended for use with Orion Dobsonian telescopes of 4.5" to 10" diameter, and may not fit other makes or models.

One-Year Limited Warranty

This Orion product is warranted against defects in materials or workmanship for a period of one year from the date of purchase. This warranty is for the benefit of the original retail purchaser only. During this warranty period Orion Telescopes & Binoculars will repair or replace, at Orion's option, any warranted instrument that proves to be defective, provided it is returned postage paid. Proof of purchase (such as a copy of the original receipt) is required. This warranty is only valid in the country of purchase.

This warranty does not apply if, in Orion's judgment, the instrument has been abused, mishandled, or modified, nor does it apply to normal wear and tear. This warranty gives you specific legal rights. It is not intended to remove or restrict your other legal rights under applicable local consumer law; your state or national statutory consumer rights governing the sale of consumer goods remain fully applicable.

For further warranty information, please visit www.OrionTelescopes.com/warranty.



Corporate Offices: 89 Hangar Way, Watsonville CA 95076 - USA
Toll Free USA & Canada: (800) 447-1001
International: +1(831) 763-7000
Customer Support: support@telescope.com

Copyright © 2020 Orion Telescopes & Binoculars. All Rights Reserved. No part of this product instruction or any of its contents may be reproduced, copied, modified or adapted, without the prior written consent of Orion Telescopes & Binoculars.